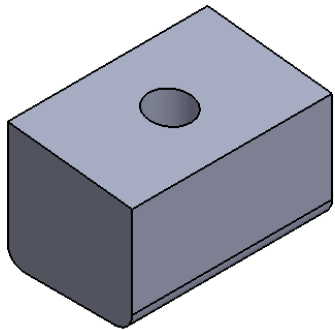
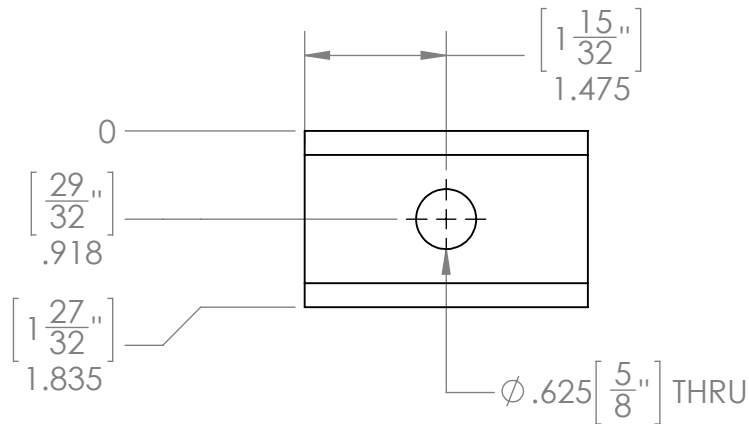
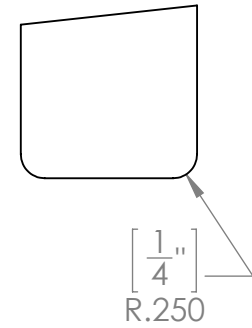
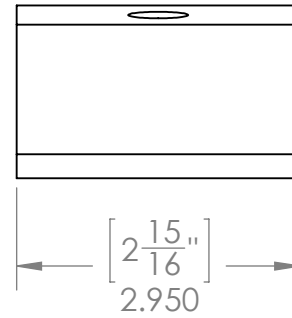
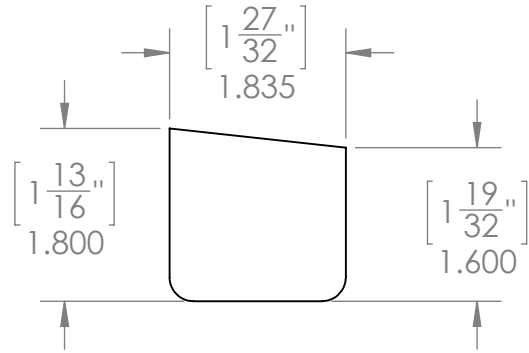



REVISIONS			
REV.	DESCRIPTION	DATE	APPROVED



PROPRIETARY AND CONFIDENTIAL THE INFORMATION CONTAINED IN THIS DRAWING IS THE SOLE PROPERTY OF RANDY'S TRUCKS. ANY REPRODUCTION IN PART OR AS A WHOLE WITHOUT THE WRITTEN PERMISSION OF RANDY'S TRUCKS IS PROHIBITED.	NAME	DATE	WOOD MOUNT BLOCK 		
	DRAWN	JA			4/2/2014
MATERIAL HARD WOOD MATERIAL SIZE	PART OF ASSEMBLY: FORD SHORTBED STYLESIDE 1957 THRU 1960		SIZE A	DWG. NO. RT 100	REV
NOTES:	DO NOT SCALE DRAWING	FINISH	SCALE: 1:2	SHEET 1 OF 1	

5

4

3

2

1